

Features

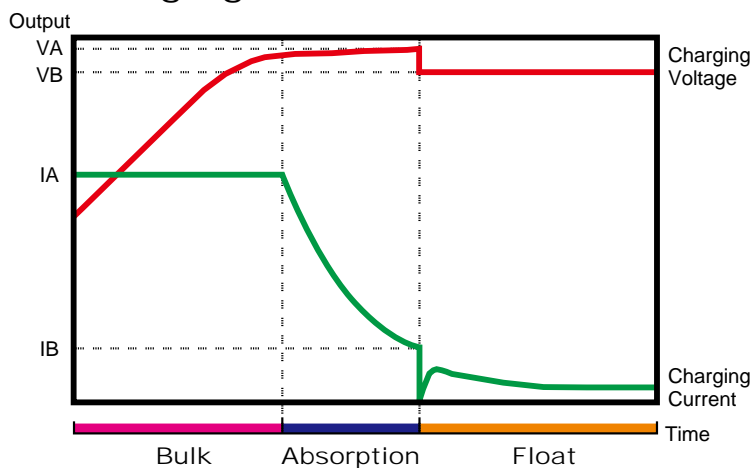
- Optional system voltage of 12V, 24V, 36V and 48V
- Wrong voltage setting and reverse polarity protection
- Large capacity and low cost
- Safe design
- Removable rubber foot and handle
- Easy to be used by just pushing button
- Worldwide universal Input voltage(100/200V)



Specification

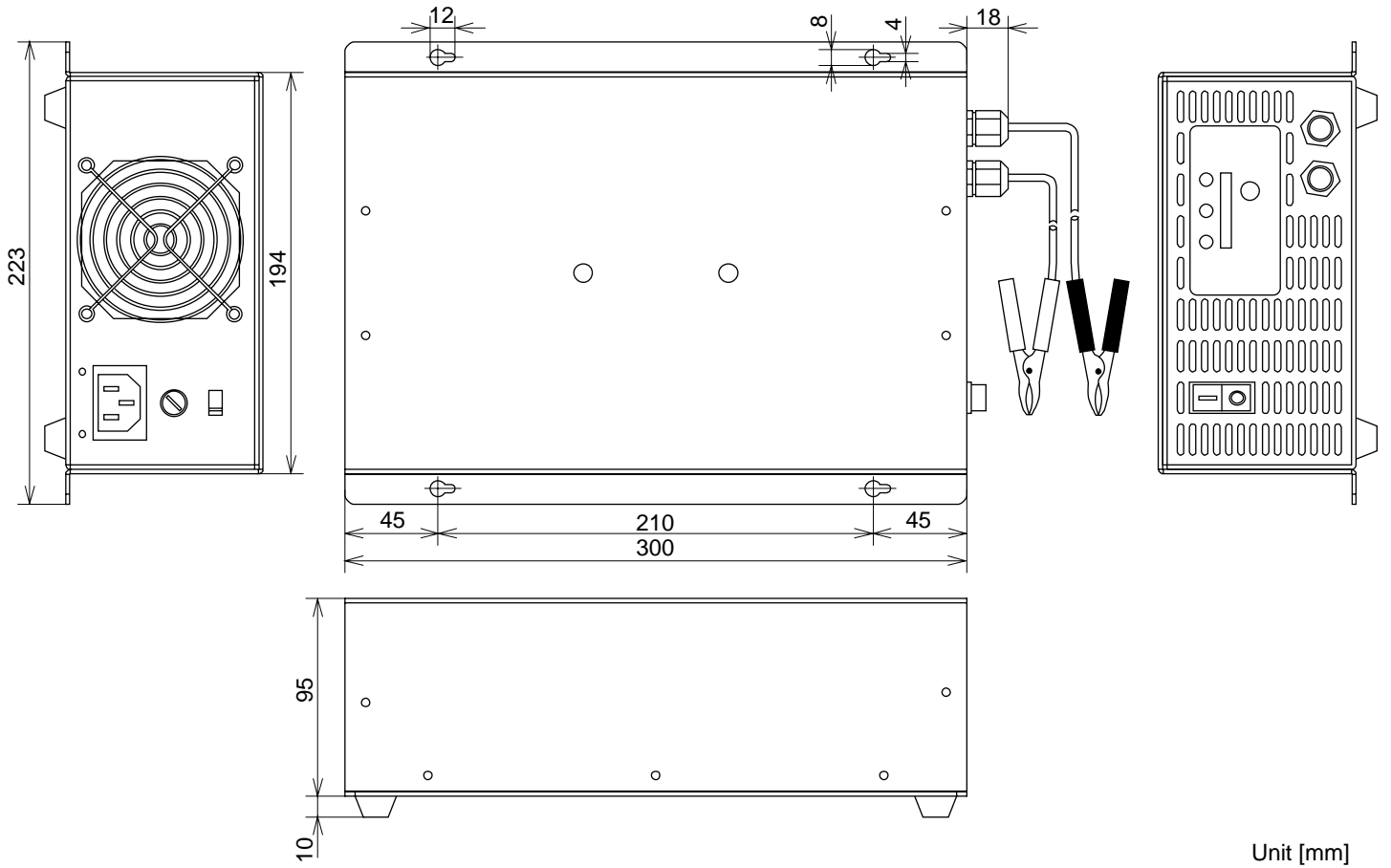
MODEL	PANcharge1k			
Input Voltage	100Vac default, 100/200Vac, switchable			
Input Voltage Range	90~120/180~240Vac			
Input Frequency	50/60Hz			
Input No-load Current	≤0.1A			
Efficiency at Rated Load	80% (Average)			
Max. Input Current at Rated Load	≤20A			
Battery Voltage	12V	24V	36V	48V
Battery Voltage Range	8~14.8Vdc	16~29.6Vdc	30~42Vdc	40~60Vdc
Charging Voltage	14.5Vdc	29Vdc	43.5Vdc	58Vdc
Float Charging Voltage	13.8Vdc	27.6Vdc	41.4Vdc	55.2Vdc
Max. Charging Current	30A	30A	25A	15A
Absorption Current	2.25A			
Battery Type	Lead acid battery			
Operating Temperature	0~40°C			
Storage Temperature	-20~60°C			
Humidity	5~95%RH non-condensing			
Dimensions (LxWxH)	300x223x95.3mm (Without rubber foot and handle)			
Weight	3.8kg			

Charging Characteristics



Output		Battery Voltage			
		12V	24V	36V	48V
VA	Charging Voltage	14.5Vdc	29Vdc	43.5Vdc	58Vdc
VB	Float Charging Voltage	13.8Vdc	27.6Vdc	41.4Vdc	55.2Vdc
IA	Max. Charging Current	30A	30A	25A	15A
IB	Absorption Current	2.25A			

■ ■ Dimensions



Unit [mm]