

Multiple Voltage Battery Charger PANcharge1k



Selectable Voltage

PANcharge1k is the multiple voltage battery charger. PANcharge1k can change output voltage by a switch button. Just push the button to select system voltage for 12V, 24V, 36V, or 48V.

High Power Low Cost

The output of PANcharge1k is about 1kW. A 12 or 24volts, 300Ah battery can be full charged in half a day. PANcharge1k is at a low price, so you can receive good cost-performance than other chargers.

Recommend Battery

Charging		Battery Capacity
Voltage	Max. Current	
12V	30A	60Ah~300Ah
24V	30A	60Ah~300Ah
36V	25A	50Ah~250Ah
48V	15A	30Ah~150Ah

※Only for Lead-Acid Battery.

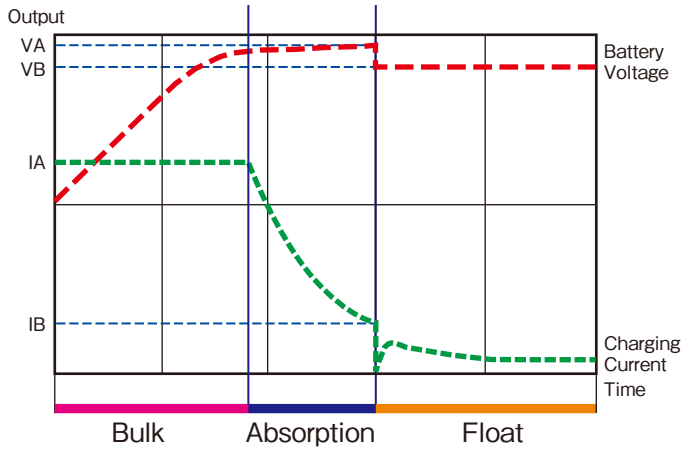
Safety Design

PANcharge1k is safety. There are many protections. For example, wrong voltage setting and reverse connection protection.

Universal Input

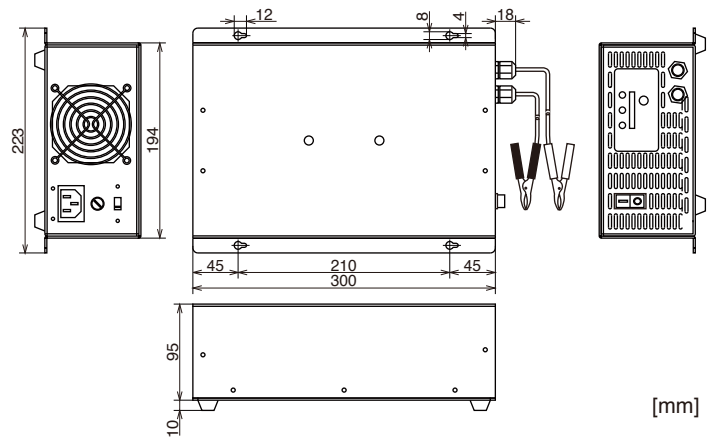
AC input is switchable to 100 or 200V.

Charging Feature



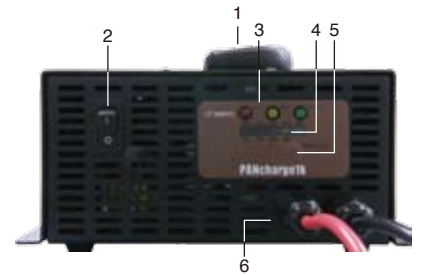
Charging Voltage/Current		Battery Voltage			
		12V	24V	36V	48V
VA	Charging Voltage	14.5V	29V	42.6V	56.5V
VB	Float Voltage	13.8V	27.6V	39.9V	53.2V
IA	Maximum Charging Current	30A	30A	25A	15A
IB	Absorption Minimum Current	2.25A	2.25A	2.25A	2.25A

Dimension



Front Side

1. Handle
2. Power Switch
3. Charging Mode LED
4. Charging Voltage LED
5. Voltage Selecting Button
6. Output Code



Back Side

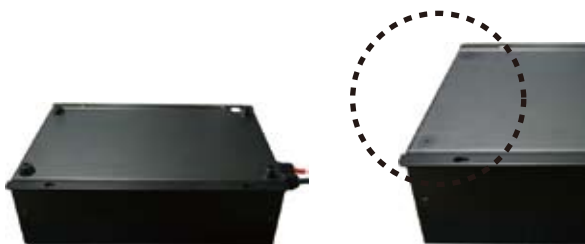
7. Cooling Fan
8. Power Connector
9. Input Voltage Selecting Switch
10. Fuse Holder



Removable Foot & Handle



The handle is removable. This is useful to save space.



The rubber feet could be removed for floor standing type.

Specifications

Model	PANcharge1k			
Input Voltage (Single phase)	100Vac / 200 Vac (switchable)			
Input Voltage Range	90 ~ 120Vac / 180 ~ 240 Vac			
Input Frequency	50 / 60 Hz			
No-Load Current	Less than 0.1A			
Max Efficiency (Full-Load)	80 % (Average)			
Full-Load Current	Less than 15A (Average)			
Battery Voltage	12V	24V	36V	48V
Starting Voltage Range	8~14.8V	16~26.4V	27~39V	40~55V
Charging Voltage	14.5V	29V	42.6V	56.5V
Float Voltage	13.8V	27.6V	39.9V	53.2V
Max Charging Current	30A	30A	25A	15A
Absorption minimum Current	2.25A	2.25A	2.25A	2.25A
Battery Type	Lead-acid battery			
Normal Temperature	25 °C			
Operating Temperature	0 ~ 40 °C			
Storage Temperature	-20 ~ 60 °C			
Humidity	5 ~ 95 % RH (Non condensing)			
AC Input Code	3P-2P Power code with earth wire, 2,600 mm			
DC Output Code	Red (+) / Black (-) with clips, 1,080 mm			
Dimensions	300 × 223 × 95.3 mm (Without feets and handle)			
Weight	3.8 kg			

DENRYO CO., LTD.

28-5, Nishinippori 2 Chome Arakawa-ku,
Tokyo 116-0013, Japan

Phone : +81-3-3802-3671

Fax : +81-3-3802-2974

Website : www.denryo.com

E-mail : info-en@denryo.com